

Head Office:
MARS Complex, Poothole Road, Thrissur, Kerala
India - 680 004. Ph: +91 487-2385001, 2385002
E-mail: customerservice@starline.in
www.starlineenterprises.in


Starline Enterprises

Factory:
Sree Sai Krithika Industrial Estate
4 / 293, S.F. No. 221 & 91, Sreerapalayam,
Post - Podipalayam, Coimbatore, Tamil Nadu,
India - 641 105

Precompressed Spring Hanger 25 mm Standard Deflection

Catalogue Number : 9000105 : Rev. 01 Dated 07-10-2014

1. Compliance:

- a) Designed to BS 1726 -1 : 1987
- b) Tolerance to BS 1726-1 : 2002
- c) SAE and Ashrae Guidelines for Vibration Isolation

2. Application:

- a) Suspension of water pipe lines and seismically restrained rotating equipments.

3. Product Features:

- a) Spring diameter to height ratios are designed to ensure that spring will never buckle even when fully loaded.
- b) Suspension rod misalignment (30 degree arc) is compensated in hanger design.
- c) Direct connection to lower suspension rod by means of a threaded rod coupler.
- d) Printed deflection scale to indicate total spring deflection.
- e) Pre compressed spring effectively minimizes transfer of variations in pipe load during filling of pipes thus protecting equipment connections / flexible joints and also prevents overloading of the main equipment isolators.
- f) Locking rubber bush centralizes the spring and prevents dislocation.
- g) Springs are powder coated with appropriate color coding to facilitate identification.
- h) Frame is made of G.I. steel and powder coated to 100 microns paint thickness (exceeds 1000 hours of salt spray test) and conforming to ASTM B-117.

Option:

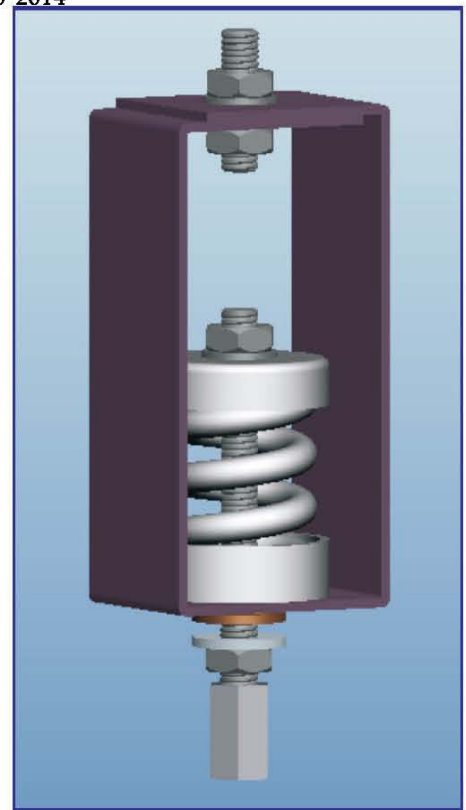
- 1) Frame Hot Dip Galvanised (Prefix Part Number with "HDG")
- 2) Spring Neoprene Coated (Prefix Part Number with "N")
- 3) Spring Plastic Coated (Prefix Part Number with "P")

4. Selection / Ordering:

- a) Point load (Calculated to include all variables such as weight of water in pipe lines etc if applicable).

5. Installation Guide lines:

Included in packaging.



Isolator Model	Rated Load (kg)	Spring Colours	Dimension (mm)				
			L	W	H	E(apprx.)	d
SPCSH-A25	25	Green	77	60	120	68	M10
SPCSH-A50	50	Black					
SPCSH-A75	75	Yellow					
SPCSH-A100	100	Blue	77	60	120	75	M10
SPCSH-A150	150	Grey					
SPCSH-A200	200	Orange					
SPCSH-B200	200	Black	77	60	145	85	M12
SPCSH-B250	250	Yellow					
SPCSH-B300	300	Blue					
SPCSH-B400	400	Grey	94	80	180	115	M16
SPCSH-C400	400	Brown					
SPCSH-C500	500	Grey					
SPCSH-C600	600	Orange	94	80	220	145	M22
SPCSH-C700	700	Green					
SPCSH-C800	800	Pink					
SPCSH-C1000	1000	White	235	75	325	175	M30
SPCSH-C1200	1200	Purple					
SPCSH-2C1400	1400	Green					
SPCSH-2C1600	1600	Pink	235	75	350	190	M36
SPCSH-2C2000	2000	White					
SPCSH-2C2400	2400	Purple					
SPCSH-2C2800	2800	Purple/Yellow	235	75	350	190	M36
SPCSH-2C3200	3200	Purple/White					

Precompressed Spring Hanger 25 mm Standard Deflection

